

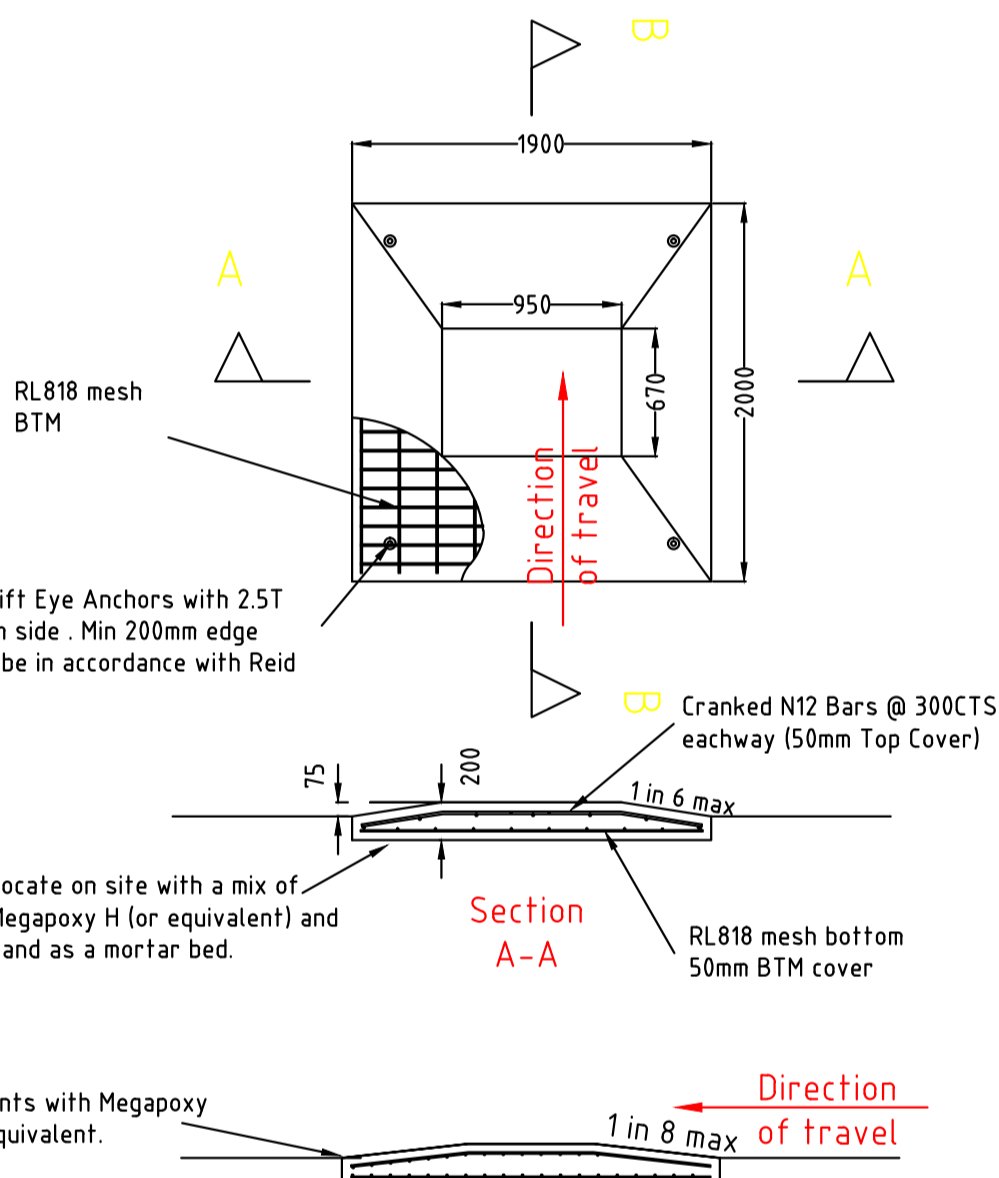
NOTE:
 LOCATION OF SERVICES TO BE CONFIRMED
 PRIOR TO COMMENCEMENT OF CONSTRUCTION
 CONTACT "DIAL BEFORE YOU DIG" Phone 1100

SAW CUT SEAL AND REMOVE 14.0mm DEPTH OF PAVEMENT.
 INSTALL TWO 200MM THICK 2.0M X 1.9M PRECAST CONCRETE
 ROAD CUSHIONS ON A 15mm MORTAR BED OF MEGAPOXY H (OR
 EQUIVALENT) AND SAND. TOP MOST SURFACE OF CUSHION TO
 FINISH 75MM ABOVE ROAD PAVEMENT SURFACE. SEE DETAIL.
 PAVEMENT MARKING TO BE IN ACCORDANCE WITH AUSTRALIAN
 STANDARD AS1742-13 (1999)

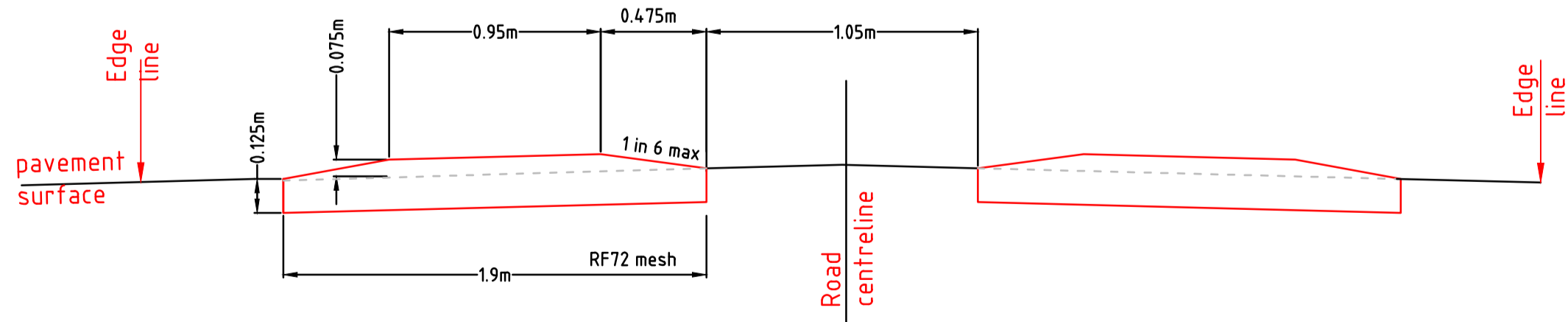
SAW CUT SEAL AND REMOVE 14.0mm DEPTH OF PAVEMENT.
 INSTALL TWO 200MM THICK 2.0M X 1.9M PRECAST CONCRETE
 ROAD CUSHIONS ON A 15mm MORTAR BED OF MEGAPOXY H (OR
 EQUIVALENT) AND SAND. TOP MOST SURFACE OF CUSHION TO
 FINISH 75MM ABOVE ROAD PAVEMENT SURFACE. SEE DETAIL.
 PAVEMENT MARKING TO BE IN ACCORDANCE WITH AUSTRALIAN
 STANDARD AS1742-13 (1999)

SIGN AND MARKING NOTES

1. ALL ROAD SIDE SIGNS TO COMPLY WITH AS1743-2001 AND/OR RTA TECHNICAL MANUAL TDT 2001/02 & RTA/Pub 01.038 Version 1.1
2. ALL NEW POSTS BE INSTALLED IN GALVANIZED METAL POST SOCKETS SET FLUSH WITH FINAL FOOTPATH LEVELS
3. ALL ROAD LINE MARKING TO COMPLY WITH RTA NSW GUIDELINES

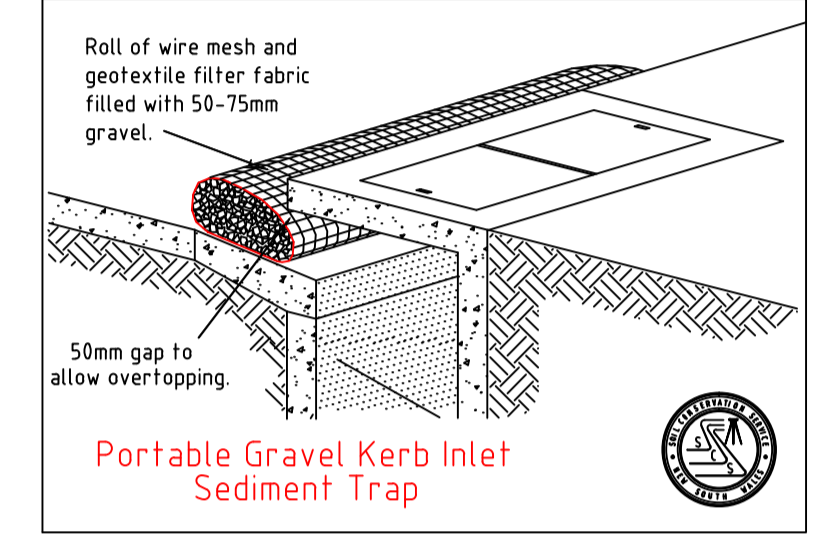
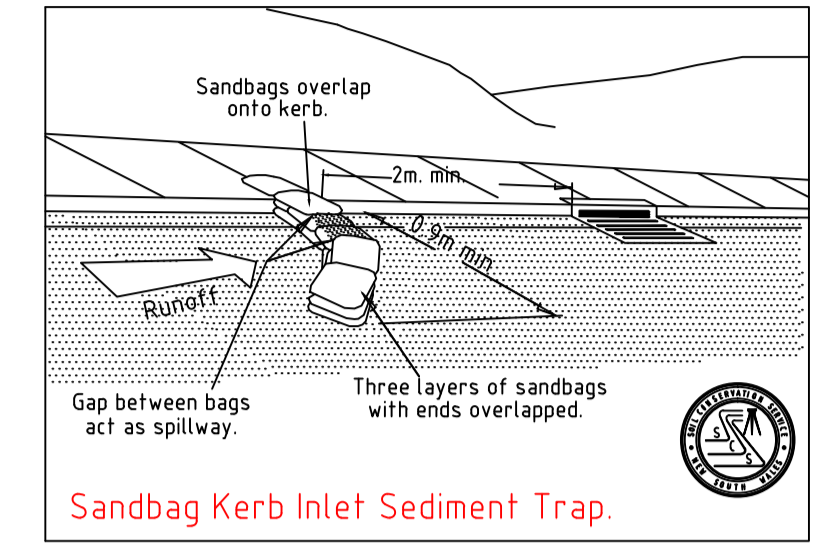


ROAD CUSHION DETAILS
 Not to Scale



Cross section at Road cushion
 Not to Scale

- SEDIMENT CONTROL**
- 1) All erosion and sediment control measures are to be installed prior to site disturbance. Using the most appropriate device selected from the detail sketches shown below.
 - 2) All sediment control structures are to be inspected after each rainfall event for structural damage and all trapped sediment is to be removed to a soil stockpile site.
 - 3) All contractors and sub-contractors are to be made aware of their obligations under the erosion and sediment control plan.



PRELIMINARY ONLY NOT FOR CONSTRUCTION

1 ISSUED FOR DISCUSSION		G.B.W.	E.M.S.	10/09	DATUM AHD	SURVEYOR B Hogan	DRAWN G.Warton	DATE 10/09	APPROVED (FOR COUNCIL USE ONLY)			DESIGN PCS No.	DES16729	A1 ORIGINAL	
ISSUE		DRAWN	APPR'D	DATE	AZIMUTH MGA	FIELD BOOK	DESIGNED G.Warton	DATE 10/09	CIVIL DESIGN MANAGER	DESIGN & TECHNICAL SERVICES MANAGER		FILE NUMBER	1 OF 4 SHEETS		ISSUE
					RELATED PLANS		CHECKED T.Valic	DATE 10/9	DATE			DRAWING No.	4580		SHEET No.

0 10 20 30 40 50 60 70 80 90 100mm ON ORIGINAL PLAN