

DEMOLISH EXISTING CONCOURSE BETWEEN POOLS AND REMOVE ALL LOOSE MATERIAL. FILL TO UNDERSIDE OF NEW CONCOURSE LEVEL WITH NO FINES CONCRETE. SCREED AND STEEL FLOAT FINISH TO PROVIDE EVEN SURFACE FOR CONCOURSE SLAB.

EXISTING CONCRETE WALL TO REMAIN. CHECK UNDERSIDE OF WALL FOR CONTINUOUS SUPPORT. ENGINEER TO INSPECT AND APPROVE ANY UNDERPINNING WORK.

EXISTING CONCRETE POOL FLOOR. REFER TO GEOTECHNICAL REPORT FOR CONCRETE THICKNESS AND DEPTH TO ROCK.

REMOVE ALL CONCRETE TO EXPOSE ORIGINAL ROCK SHELF.

EXISTING LOW HEIGHT WALL TO REMAIN.

Ø16 STAINLESS STEEL REINFORCING BARS x 1200 LONG AT 900 CTS. DRILL AND EPOXY 150 INTO POOL WALL. COG OTHER END 150mm. USE PARCHEM RESIBOLT OR SIMILAR. (TYPICAL FOR 50m POOL WALL)

REBUILD CONCRETE SLAB WITH CONCRETE WALL AS EDGE SUPPORT. ENGINEER TO INSPECT EXCAVATION.

EXISTING CONCRETE CONCOURSE. REFER TO GEOTECHNICAL REPORT FOR CONCRETE THICKNESS AND DEPTH TO ROCK.

REMOVE ALL CONCRETE TO EXPOSE ORIGINAL ROCK SHELF.

EXISTING LOW HEIGHT WALL TO REMAIN.

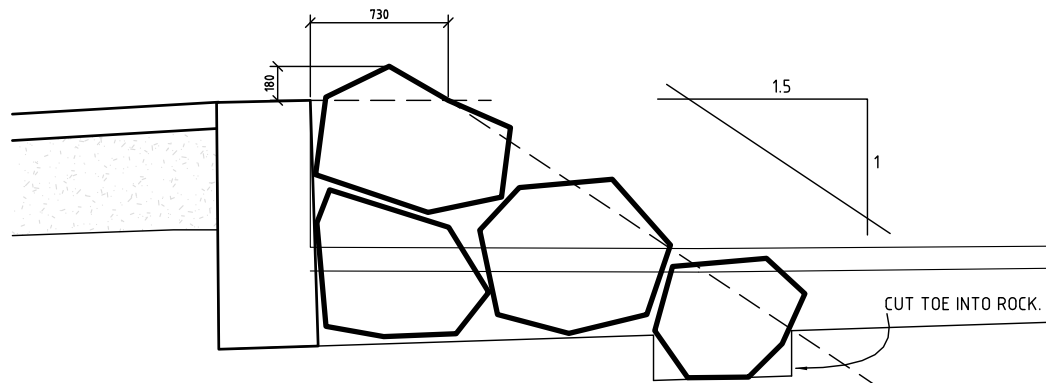
**SECTION 1**  
SCALE = 1:50 on A1  
1:100 on A3

**SECTION 2**  
SCALE = 1:50 on A1  
1:100 on A3

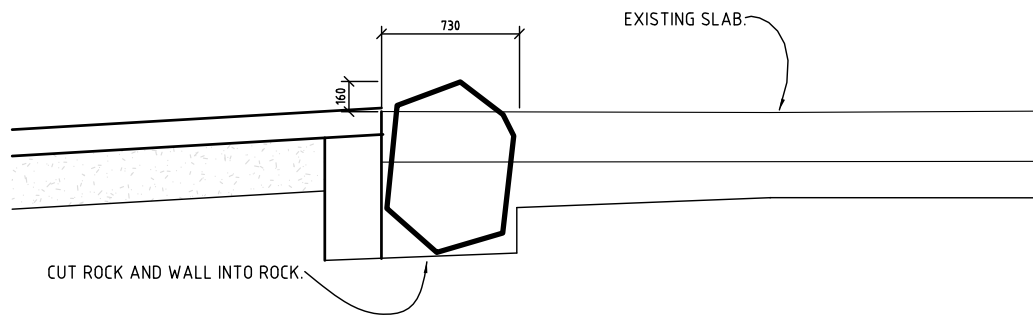
LINE OF EXISTING CONCOURSE. REFER TO GEOTECHNICAL REPORT FOR CONCRETE THICKNESS AND DEPTH TO ROCK.

TOP OF WALL / CONCOURSE BEYOND.

**SECTION 3**  
SCALE = 1:50 on A1  
1:100 on A3

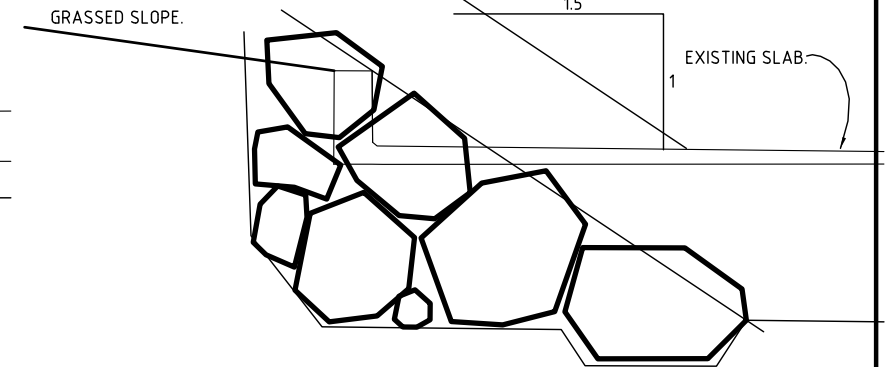


**DETAIL A-A**  
SCALE = 1:20 on A1  
1:40 on A3

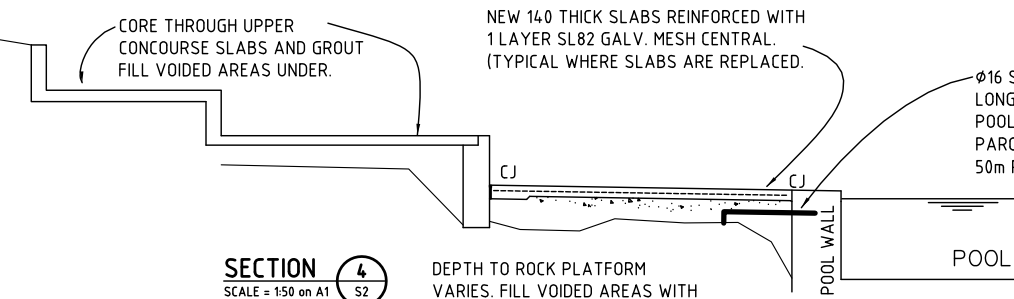


**DETAIL B-B**  
SCALE = 1:20 on A1  
1:40 on A3

REFER TO REPORT BY GARY BLUMBERG AND ASSOCIATES FOR ROCK PROPERTIES FOR WALLS.



**DETAIL C-C**  
SCALE = 1:20 on A1  
1:40 on A3

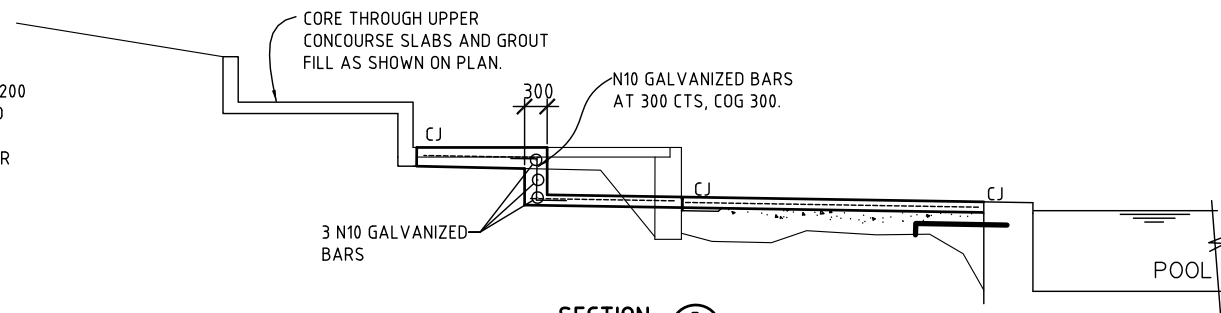


**SECTION 4**  
SCALE = 1:50 on A1  
1:100 on A3

DEPTH TO ROCK PLATFORM VARIES. FILL VOIDED AREAS WITH GROUT OR NO FINES CONCRETE.

**TYPICAL DETAIL SHOWING REPLACEMENT CONCOURSE SLAB**

Ø16 STAINLESS STEEL REINFORCING BARS x 1200 LONG AT 900 CTS. DRILL AND EPOXY 150 INTO POOL WALL. COG OTHER END 150mm. USE PARCHEM RESIBOLT OR SIMILAR. (TYPICAL FOR 50m POOL WALL)



**SECTION 5**  
SCALE = 1:50 on A1  
1:100 on A3

**PRELIMINARY PLAN - NOT FOR CONSTRUCTION**

3 ISSUED FOR CONSTRUCTION CERTIFICATE		DK	25/11/08	DATUM AHD	SURVEYOR	DRAWN D.KENNEDY	DATE MARCH 08	APPROVED (FOR COUNCIL USE ONLY)		<p>CITY OF WOLLONGONG</p> <p>ALTERATIONS TO ROCK POOL</p> <p>ROBERT CRAM DRIVE</p> <p>BELLAMBI DETAILS</p>	DESIGN PCS No. DES14046	A1 ORIGINAL
2 ISSUED FOR DA AND CC		DK	26/5/08	AZIMUTH MGA	FIELD BOOK	DESIGNED D.KENNEDY	DATE MARCH 08	SENIOR DESIGN ENGINEER - CIVIL	DESIGN & TECHNICAL SERVICES MANAGER		FILE NUMBER	3 OF 4 SHEETS
1 PRELIMINARY ISSUE		DDK	25/3/08	RELATED PLANS		CHECKED J. O'CONNELL	DATE	DATE	DATE		DRAWING No. 3947	SHEET No. S3
ISSUE	DESCRIPTION	DRAWN	APPR'D	DATE								

0 10 20 30 40 50 60 70 80 90 100mm ON ORIGINAL PLAN